



MICROSCOOP / MINT

## **Site Preparation Guide and Checklist**

# ENVIRONMENTAL REQUIREMENTS

## 1. Space Dimensions and Room Recommendations

- 10 ft Width x 7.5 ft Depth (305 cm width x 230 cm depth)
- Dark room and/or a room with a laser curtain
- The room must contain an independent red light for photolabeling working conditions, as well as an independent white light.
- Temperature and Humidity conditions:
  - Temperature: 19-25 °C (66.2-77 °F)
  - Humidity: 10%-60% RH (non-condensing).
  - Optimum Optical Behavior: 22 °C ± 2 °C (71.6 ± 3.6 °F). Airflow of the ventilation system must not be directed at Microscoop Mint.

**NOTE:** We do require a **7-day Temperature and Humidity Log** (see attached) to be taken within the designated room prior to installation and shared with our team for review.

- Altitude: Max. 2000 m

**NOTE:** We kindly request you send us pictures of the room where the instrument will be placed for review ahead of scheduling the delivery and installation.

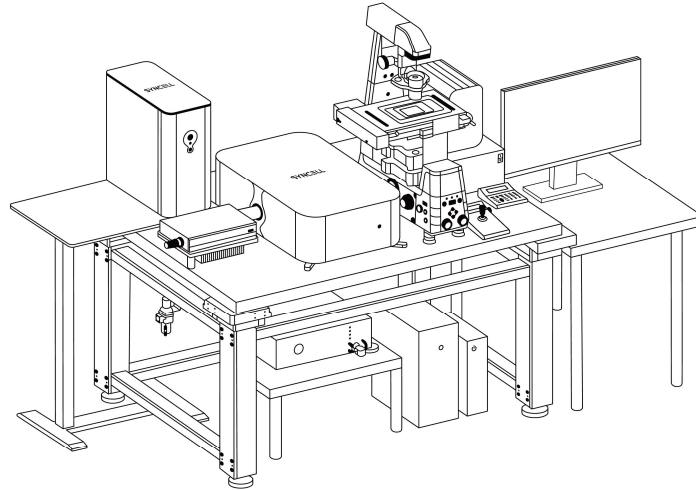
## 2. Instrument Placement

- Please be sure that there is no draft directed onto the instrument (check vent location), and that the instrument is not in a high traffic area.

## 3. Electrical / Connectivity Requirements

- Wall outlets: at least two outlets (4 plugs) available
- Power Consumption: >1000VA
- Operating Voltage: 100-240 Vac, ±10% grounded
- Uninterruptable power supply
- Internet: 1 Gigabit w/ **RJ45 network cable**, or **USB WiFi dongle** with strong reception. TeamViewer permissions (for remote software upgrades and system troubleshooting).

## 4. Instrument Components



- Microscoop Mint includes the following components: Electrical Controller, Laser, Laser Controller, Computer (with keyboard, monitor, mouse), Control Pad for LED Illuminator, LED Illuminator, Microscope, Microscope Controller and the Optical Engine.

**NOTE:** There are some required ancillary pieces, listed in the equipment tables below. The optical table and accessory tables in the diagram above are not included in the Microscoop Mint package and must be purchased separately.

---

## DELIVERY AND INSTALLATION

- Temporary, climate-controlled storage space for 3 standard-sized pallets is required between delivery and installation.

**NOTE:** Do not uncrate any Syncell components upon delivery – these should be handled **ONLY** by Syncell Field Service Engineers. Doing so may result in the warranty being null and void. Ancillary equipment (tables, lights, UPS, etc.) **must** be unpacked and ready for installation. **Optical table must be placed and floating before installation.**

## Environmental and Site Requirement Checklist

| Requirement              | Specification   | Done | Please specify reason if cannot complete |
|--------------------------|---|------|--|
| Space                    | 10 x 7.5 ft (305 x 230 cm)  |      |  |
| Environment              | Dark room or a room with a laser curtain  |      |  |
| Light in lab             | Independent red light & white light   |      |  |
| Temperature              | 19-25 °C (66.2-77 °F). Complete temperature & humidity log below.   |      |  |
| Optimum optical behavior | 22 °C ± 2 °C (71.6 ± 3.6 °F) within 24 hrs. Ventilation airflow is not aimed directly at the system.  |      |  |
| Humidity                 | 10%-60% RH (non-condensing). Complete temperature & humidity log below.   |      |  |
| Operation altitude       | Max. 2000 m (6561 ft)   |      |  |
| Operating voltage        | 100-240Vac, ±10% grounded   |      |  |
| Power consumption        | > 1000VA  |      |  |
| Wall outlets             | at least 2 outlets (4 plugs):<br>The outlet plug should match recommended UPS socket  |      |  |
| Internet                 | 1 Gigabit w/ <b>RJ45 network cable</b> , or <b>USB WiFi dongle</b> with strong reception, TeamViewer permissions<br>*For remote software upgrade and system troubleshooting |      |  |
| Compressed Air           | Building air supply or silent compressor with >50psi and adjustable regulator with 1/4" or 6mm rigid tubing connector (match to optical table)                              |      |  |

## Workstation Equipment List

| Item   | Index    | Part No.   | Description   | Website   | Quantity | Done |
|--|----------|--|---|---|----------|------|
| <b>Optical Table (metric options shown, Imperial equivalents OK)</b> | Option A | Newport M-VIS3660-SG2-325A                                 | Optical Workstation, 900 x 1500 x 59 mm SG Breadboard, I-325 Isolators  | <a href="https://www.newport.com/p/M-VIS3660-SG2-325A">https://www.newport.com/p/M-VIS3660-SG2-325A</a>   | 1        |      |
|  | Option B | Newport M-VIS3648-SG2-325A                                 | Optical Workstation, 900 x 1200 x 59 mm SG Breadboard, I-325 Isolators  | <a href="https://www.newport.com/p/M-VIS3648-SG2-325A">https://www.newport.com/p/M-VIS3648-SG2-325A</a><br><a href="https://www.newport.com/p/M-VIS3648-SG2-325A">AVIS3648-SG2-325A</a> |          |      |
|  | Option C | TMC 63-9015M, 83-014-01, and 90-9015                       | CleanBench Laboratory Table, 900 x 1500, Gimbal Piston, Metric top. Casters and OnTrak roll-off crate option. | <a href="https://www.techmfg.com/products/labtables/cleanbench63series">https://www.techmfg.com/products/labtables/cleanbench63series</a>   |          |      |
|  | Option D | TMC 63-9012M, 83-014-01, and 90-9012                       | CleanBench Laboratory Table, 900 x 1500, Gimbal Piston, Metric top. Casters and OnTrak roll-off crate option. | <a href="https://www.techmfg.com/products/labtables/cleanbench63series">https://www.techmfg.com/products/labtables/cleanbench63series</a>   |          |      |
| <b>Laser Controller Table</b>  |          | Ikea LACK (803.529.27)                                     | You may purchase any table that meets the specified dimensions, or add bottom shelf option to optical table   | <a href="https://reurl.cc/5dvE76">https://reurl.cc/5dvE76</a>   | 1        |      |
|  |          | Customer (~L50 x W50 x H40 cm / L 19.8 x W19.8 x H15.7 in) |   |   |          |      |
| <b>Monitor Table</b>   |          | VIVO Electric Table  | You may purchase any table that meets the specified dimensions  | Electric Mobile Overbed Table – VIVO - desk solutions, screen mounting, and more  | 1        |      |
|  |          | Customer (Desktop Dimensions: 27.6” x 19.8”)               |   |   |          |      |

## Optional Equipment Checklist

\*For items needed only if the customer's space doesn't meet specific criteria. Specific models are examples, products with similar performance are acceptable. Please contact Syncell to confirm other models.

| Item                         | Model   | Website  | Done | Specify reason if cannot complete / unneeded |
|------------------------------|---|--|------|--|
| <b>Independent Red Light</b> | LOHAS<br>GY-063-RE-US-2<br>(outlet height should >1m) | <a href="http://www.amazon.com/LOHAS-Adjustable-Brightness-Dimmable-Bathroom/dp/B0C1VDM34Y?th=1">www.amazon.com/LOHAS-Adjustable-Brightness-Dimmable-Bathroom/dp/B0C1VDM34Y?th=1</a> |      |  |
|                              | Clip light for desk (B)+Red Light Bulb                | Desk lamp, 360°Rotation Clip on Lamp, Clip On Reading Light<br><b>AND</b><br>U4GLORY LED Red Flood Light - PAR38 E26 Base Bulb, 15W (100W Equivalent)                                |      |  |
| <b>Recommended UPS</b>       | Cyberpower (USA)<br>CP1500PFCLCD                      | <a href="http://www.cyberpowersystems.com/product/ups/pfc-sinewave/cp1500pfclcd/">www.cyberpowersystems.com/product/ups/pfc-sinewave/cp1500pfclcd/</a>                               |      |  |
|                              | Cyberpower (EU)<br>OLS1000ERT2UA                      | OLS1000ERT2UA - Smart App UPS Systems   CyberPower   |      |  |
|                              | Cyberpower (EU)<br>VP1200EILCD                        | VP1200EILCD - Backup UPS Systems   CyberPower  |      |  |
| <b>Air Compressor</b>        | Newport ACWS (120V) or ACWS-02 (220V)                 | <a href="http://www.newport.com/f/air-compressors">www.newport.com/f/air-compressors</a>   |      |  |

# Temperature/Humidity Log

Temperature: 19-25 °C (66.2-77 °F)

Optimum Operating Temperature: 22 °C ± 2 °C (71.6 ± 3.6 °F)

Humidity: 10%-60% RH (non-condensing)

| Days | Date | Temperature |    | Humidity |    | Comments |
|------|------|-------------|----|----------|----|----------|
|      |      | AM          | PM | AM       | PM |          |
| 1    |      |             |    |          |    |          |
| 2    |      |             |    |          |    |          |
| 3    |      |             |    |          |    |          |
| 4    |      |             |    |          |    |          |
| 5    |      |             |    |          |    |          |
| 6    |      |             |    |          |    |          |
| 7    |      |             |    |          |    |          |

Confirmed by \_\_\_\_\_ (signature by Client)

Print Name \_\_\_\_\_

Date: \_\_\_\_\_